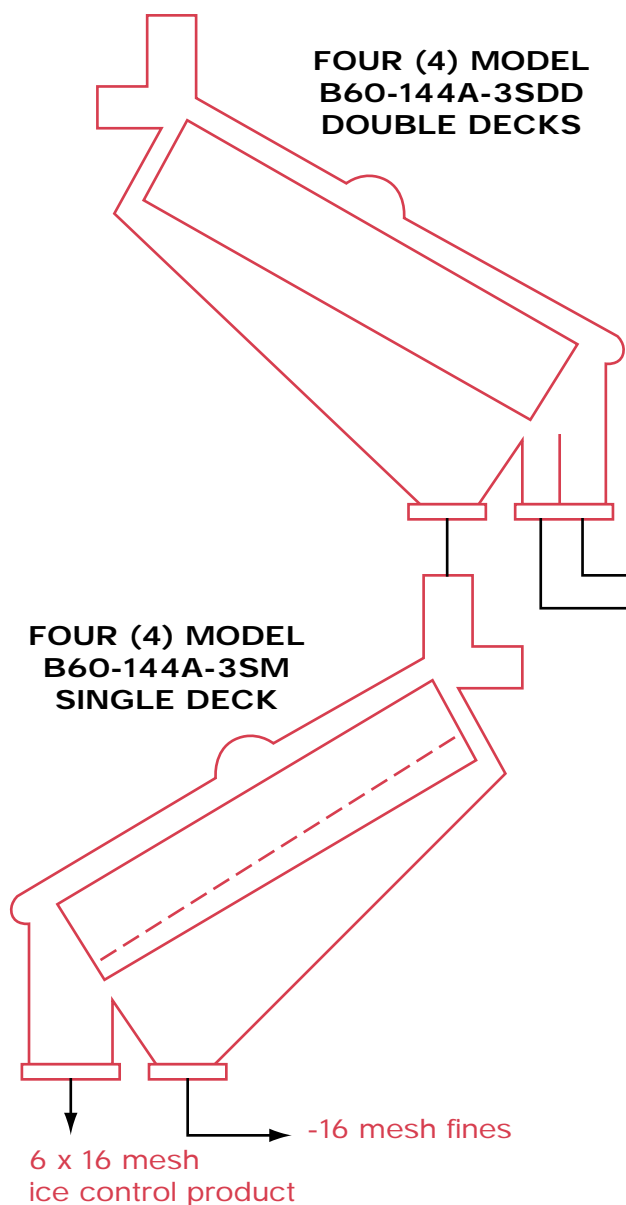




Coarse

ROCK SALT SIZING



Four (4) Model B60-144A-3SDD (1800 RPM) Double Deck units are operating in series with four (4) Model B60-144A-3SM (1800 RPM) Single Deck units to size over 400 STPH of -1" x 0 Rock Salt. Installed in an above-ground, humid, corrosive atmosphere, these units size material for the chemical grade and ice control markets.



Serving all our customers worldwide: www.derrickcorp.com
 590 Duke Road • Buffalo, New York 14225
 Phone: (716) 683-9010 • Fax: (716) 683-4991

FR104

© 1999/2000 Derrick Corporation
 All products indicated by trademark symbols are
 trademarked and/or registered by Derrick Corporation.